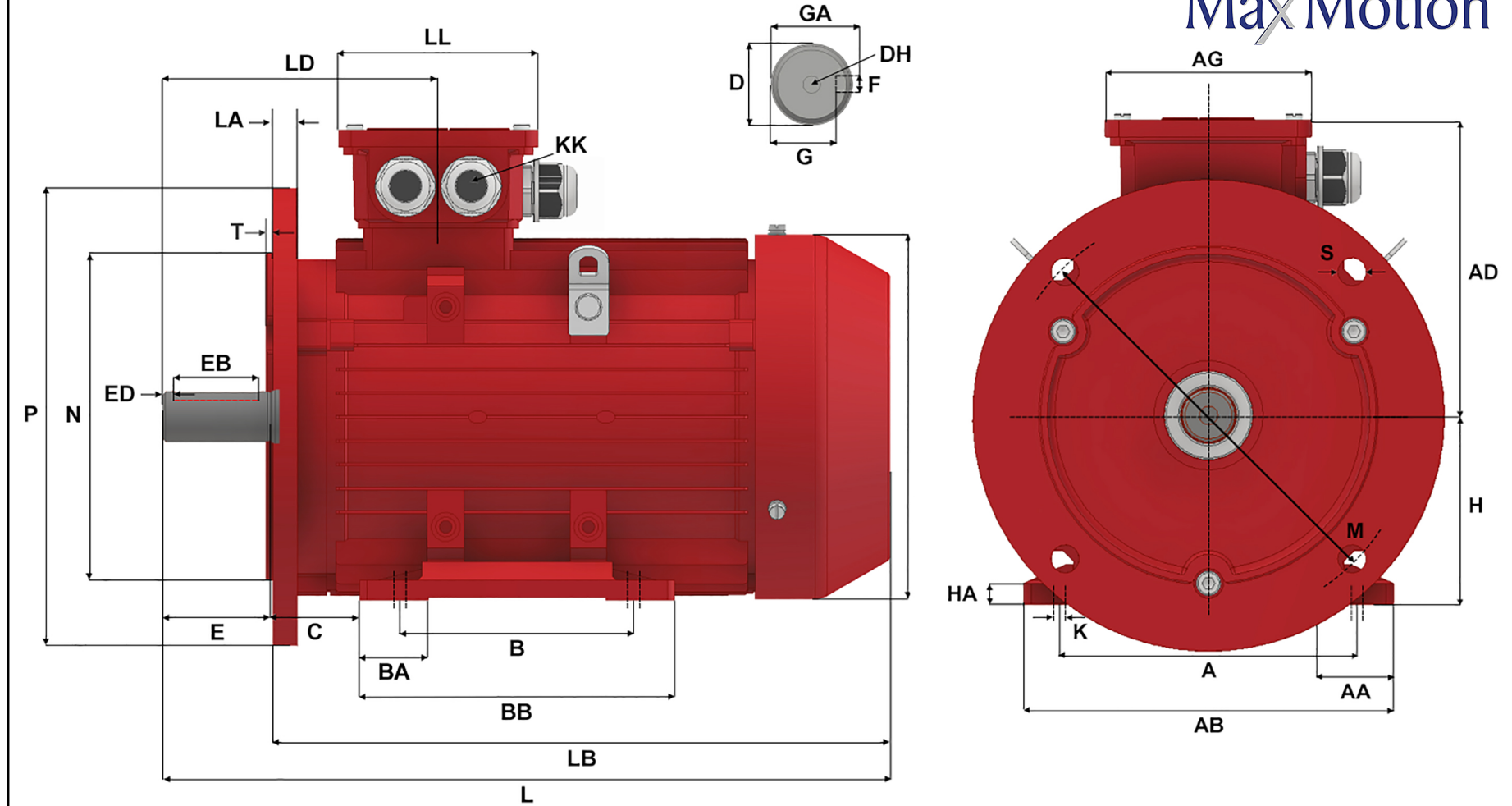


# MaxMotion



Version: 1JLEM				Revised: 09-11-2019				HP	RPM	FRAME	ENCLOSURE	IJA132S-4-B35				
Customer is responsible in determining that Max Motion product will fit/perform suitably in the intended application										7.5	1752	132S	TEFC			
A	B	C	D	E	F	G	H	K	L	M	N	P				
216	140	89	38	80	10	33	132	12 X 16	445	265	230	300				
S	T	AA	AB	AC	AD	AG	BA	BB	DH	EB	ED	GA				
14.5	4	51	262	258	188	117.5	46	186	M12 X 28	65	7.5	41				
HA	KK (1)	KK (2)	KK (3)	LA	LB	LD	LL									
15	M32 X 1.5	3/4" NPT	M16 X 1.5	14	365	180	117.5									